



**SPIERINGS
CRANES**

Make: SPIERINGS

Type: SK1265-AT6

Crane specification

(Jib length 60 m)

Serial number

Year of construction

Crane group : A3 as per FEM 1.001
 Loadspectrum : Q1 as per FEM 1.001
 Classification : U4 as per FEM 1.001
 Stability : as per FEM 1.001

Max. load
10,0 tonne

Max.radius
with max. load
13,2 m

Max. capacity
132 tm

Max. jib length
60 m

Speeds Jib horizontal / jib 30° luffed

	m/min	kg		0 - 70 m/min
	15	10000		
	30	5000		0-0,7 r/min
	45	2500		
75	0			

All motions with hydraulic proportional controls.
 Luffing the jib 30° can be controlled from crane cab or by remote control.
 Crane can be driven in its erected position under special conditions (refer user guide).

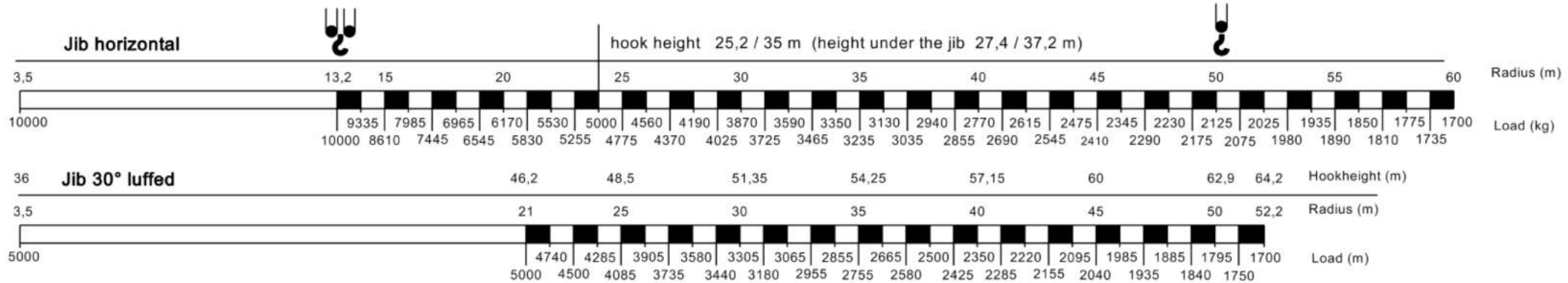
Continuous slewing of the crane (360°) with the outriggers out and support pads down.
 The crane should be folded in at wind force 9 (Bf) (21 m/sec) or when not in use for a longer period.
 Operating temperature range from -15°C till +40°C

Counterweight Crane : 12600 kg.
 Rated lifting capacity is net capacity.
 Max. line pull force : 2500 kg.
 2 parts of line : 5000 kg - 1700 kg
 4 parts of line : 10000 kg - 5000 kg
 Sail area of the load max.: 1,0 m²/ ton.

Outriggers positioned according to lifting chart
 Outrigger support base : 7,95 x 7,66 m.
 Operation allowed up to wind force 7 (14 m/s).
 Outrigger support base : 7,95 x 5,72 m.
 Operation allowed up to wind force 7 (14 m/s).
 Max. outrigger force: 520 kN.

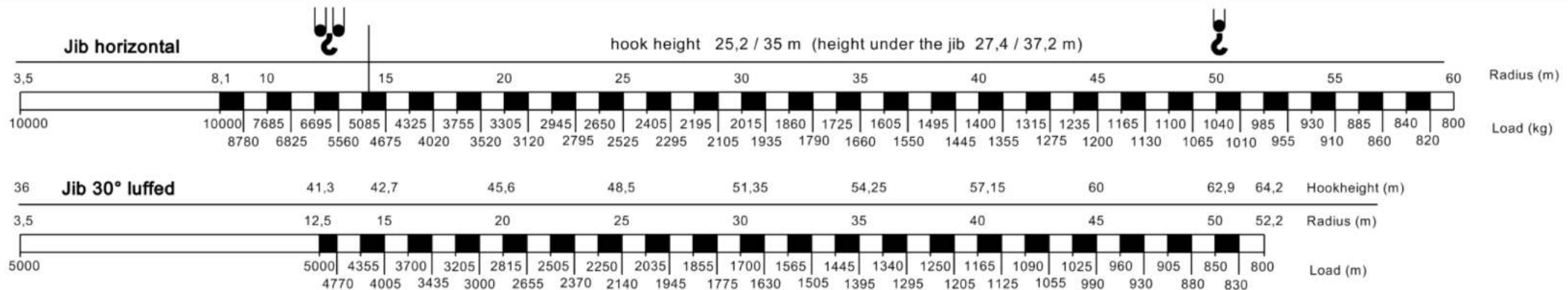
Lifting chart

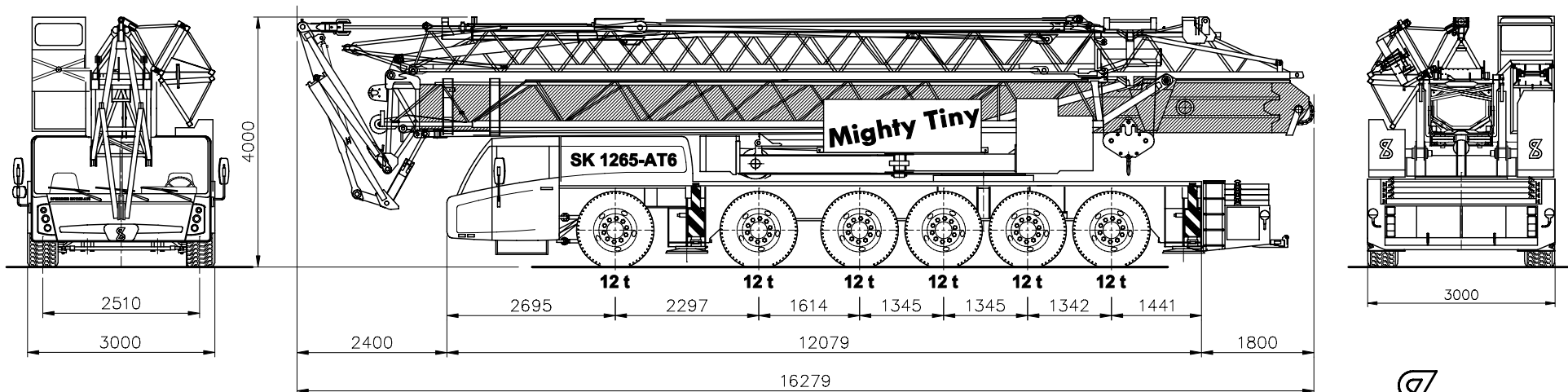
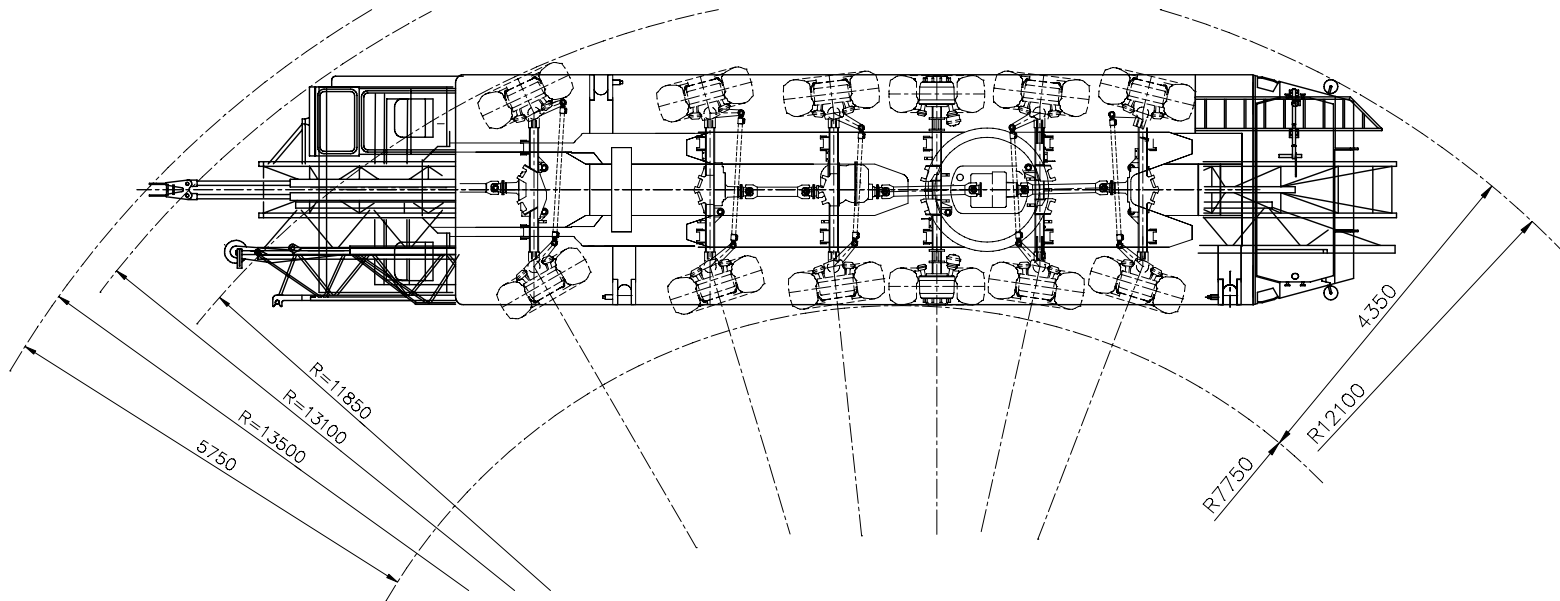
Outrigger support base : 7,95 m x 7,66 m



Lifting chart

Outrigger support base : 7,95 m x 5,72 m





SPIERINGS HYDRAULIC FOLDING CRANE SK 1265 - AT6

Total weight: 72000 kg
Changes subject to modifications

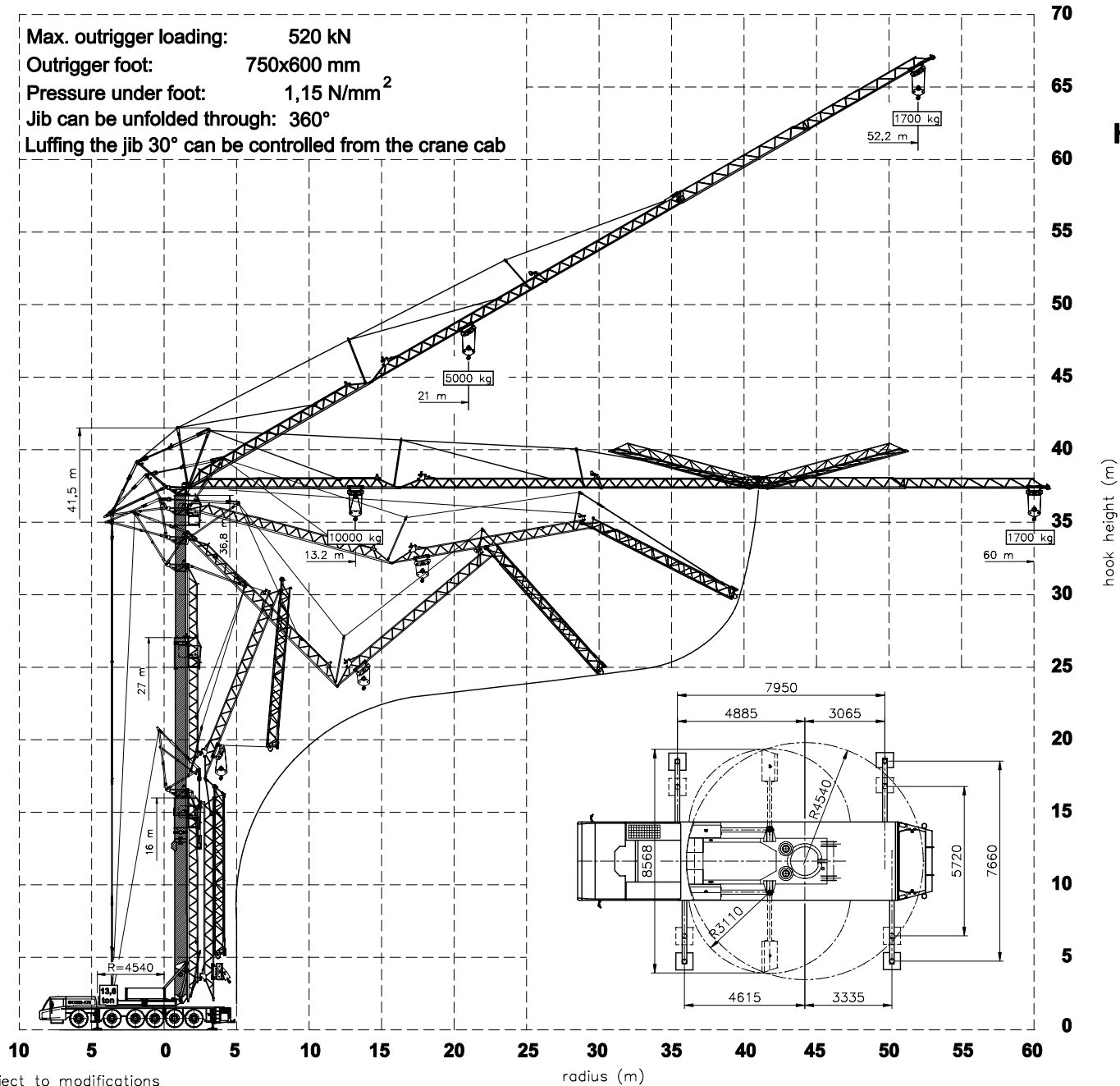
 **SPIERINGS
KRANEN**
Merwedestraat 15
5347 KZ Oss NL
Tel. +31 (0)412-626964
Fax +31 (0)412-645299

Max. outrigger loading: 520 kN
 Outrigger foot: 750x600 mm
 Pressure under foot: 1,15 N/mm²
 Jib can be unfolded through: 360°
 Luffing the jib 30° can be controlled from the crane cab

SPIERINGS

HYDRAULIC FOLDING CRANE

SK1265-AT6



Changes subject to modifications

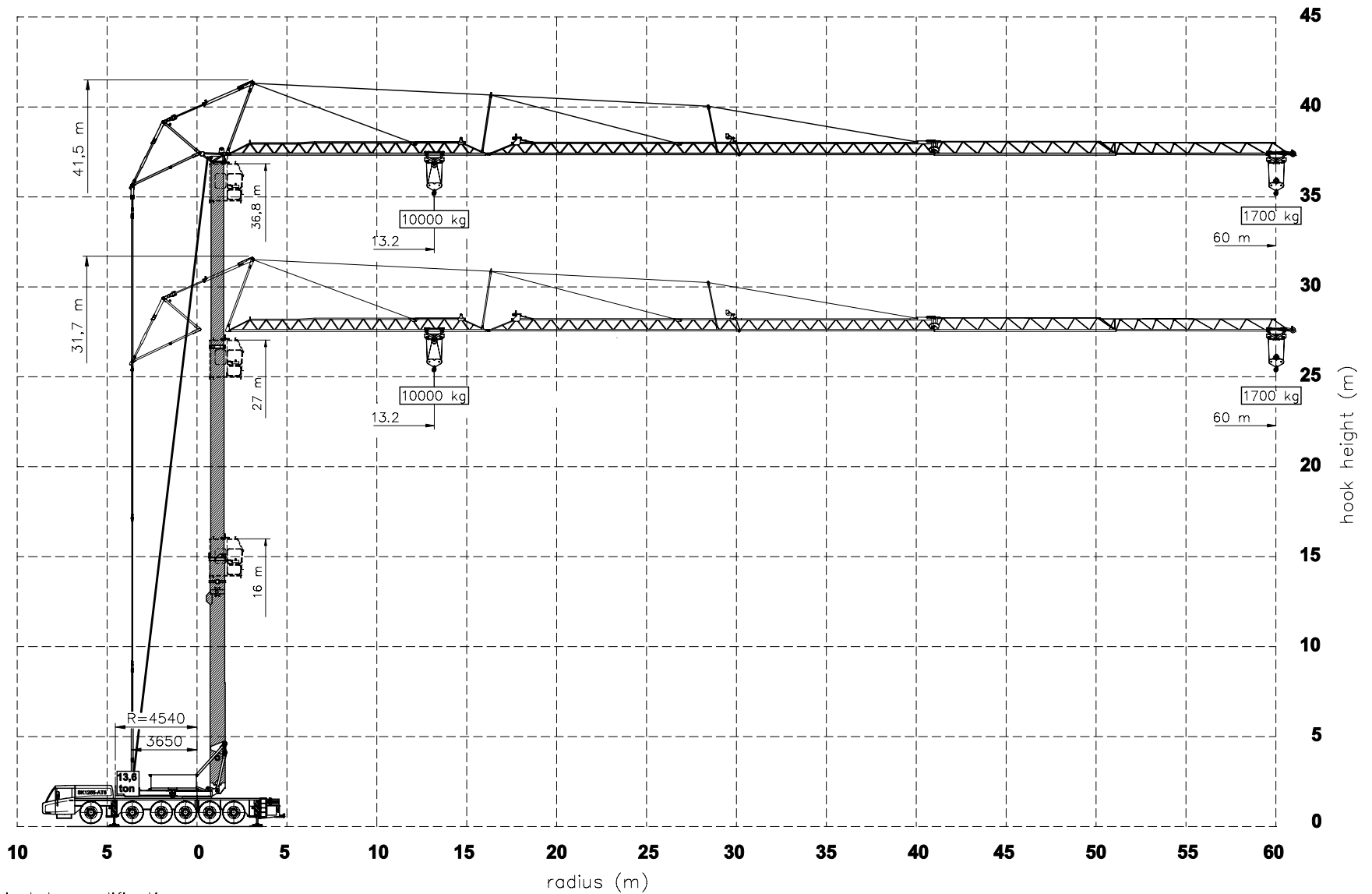


Merwedestraat 15
 5347 KZ Oss NL
 Tel. +31 (0)412-626964
 Fax +31 (0)412-645299

SPIERINGS

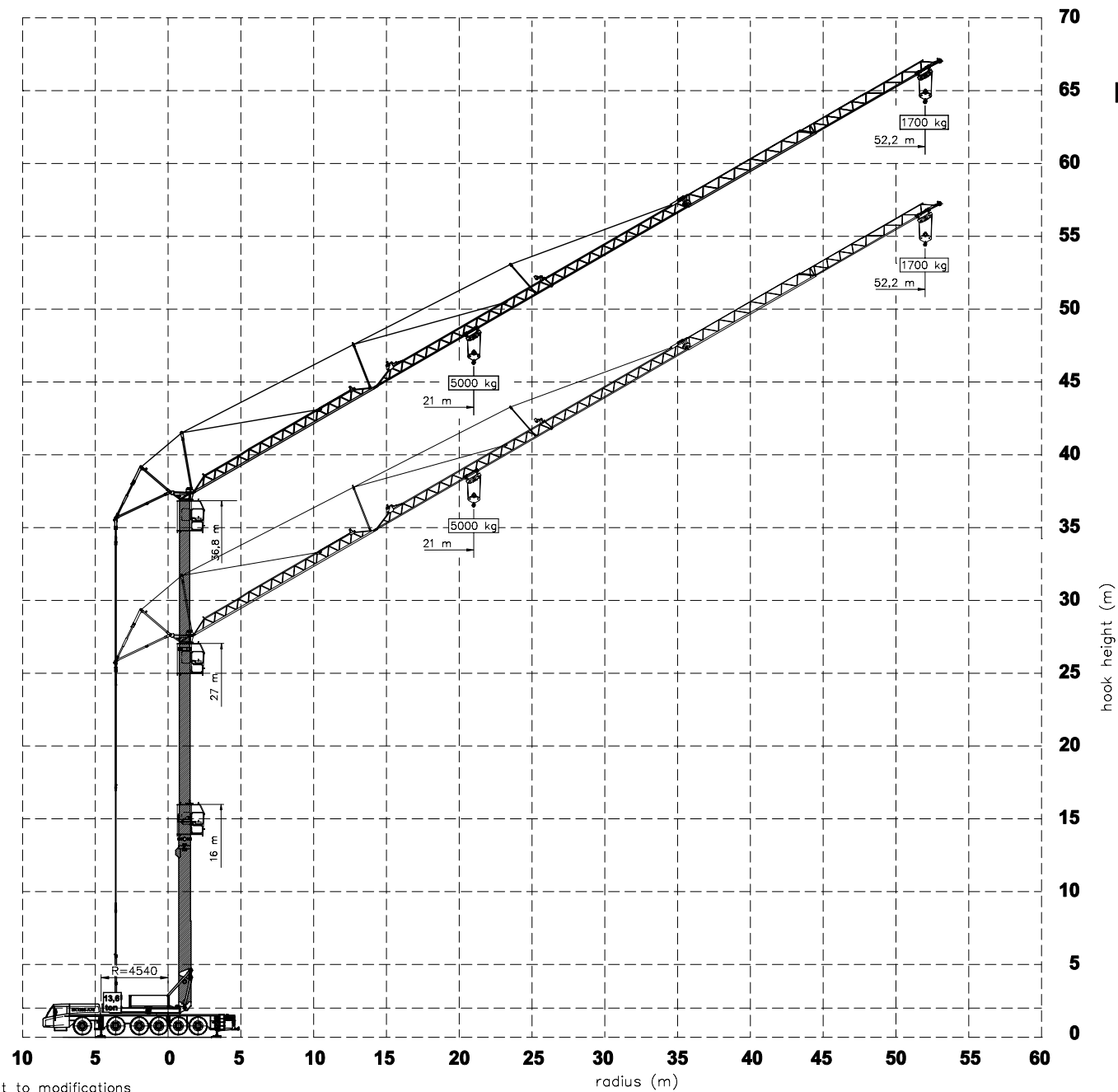
HYDRAULIC FOLDING CRANE

SK1265-AT6



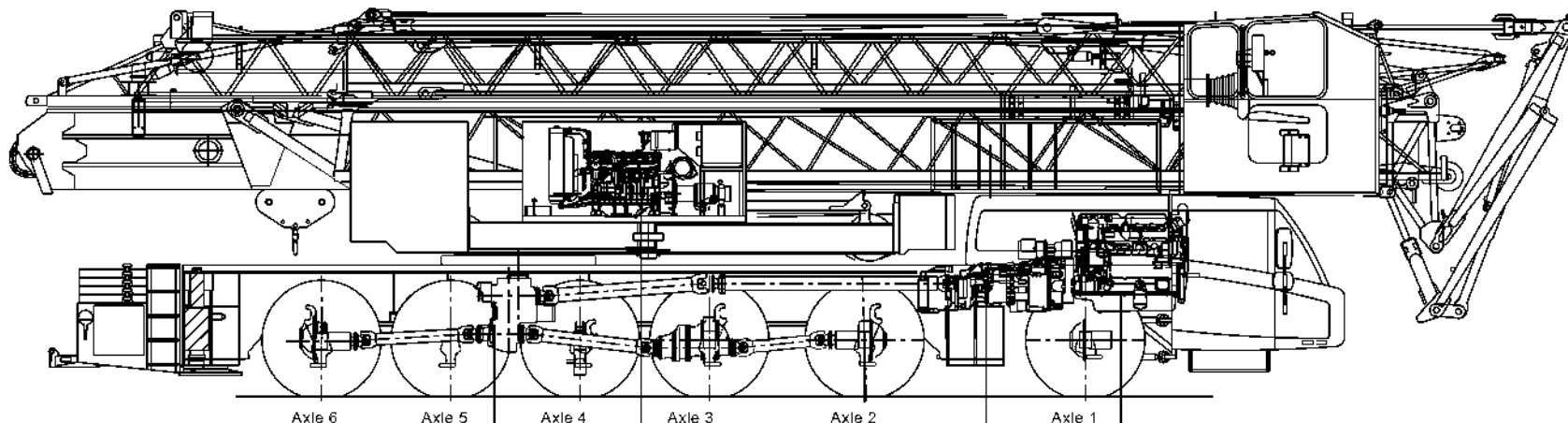
Changes subject to modifications

SPIERINGS HYDRAULIC FOLDING CRANE SK1265-AT6



**SPIERINGS
KRANEN**

Merwedestraat 15
5347 KZ Oss NL
Tel. +31 (0)412-626964
Fax +31 (0)412-645299



Transfer box:
 STEYR VG2001/396
 Road gear $i=0,89$
 Off road gear $i=1,54$

Crane diesel engine:
 John Deere: 4045HFG82
 Constant speed
 Power: 103 kW (1500 rpm)
 Torque: 656 Nm (1500 rpm)

Gearbox:
 ZF 16AS2631 SO
 Automatic
 Dry plate clutch
 + interarder

Carrier diesel engine:
 Euro VI
 DAF: MX 13-375 (12.9 ltr)
 Power: 375 kW (1425 rpm)
 Torque: 2500 Nm (1000-1425 rpm)

Axle 1 : Steer axle
 Axle 2 : Steer drive axle (end reduction $i=7,29$)
 Axle 3 : Steer drive axle (end reduction $i=7,29$)
 Axle 4 : Axle , non steered and non powered
 Axle 5 : Steer axle
 Axle 6 : Steer drive axle (end reduction $i=7,29$)

Tyres : 445/75 R22.5
 Suspension: hydro-pneumatic on all axles; stroke cyl. : 247 mm
 Max. speed carrier : 82 km/h
 Min. speed carrier (engine at 1000 rpm) : 1,4 km/h
 Overall weight : 72.000 kg.

Drive train Spierings Folding Crane SK 1265-AT6

SPIERINGS
 MOBILE CRANES

Merwedestraat 15
 5347 KZ Oss NL
 Tel. +31 (0)412-628994
 Fax +31 (0)412-646288
 www.spieringscranes.com

121-00126106C



**SPIERINGS
CRANES**

Make: SPIERINGS Type: SK1265-AT6

Crane specification (Jib length 52 m)

Serial number

Year of construction

Crane group : A3 as per FEM 1.001
 Loadspectrum : Q1 as per FEM 1.001
 Classification : U4 as per FEM 1.001
 Stability : as per FEM 1.001

Max. load
10,0 tonne

Max.radius
with max. load
13,57 m

Max. capacity
135 tm

Max. jib length
52 m

Speeds Jib horizontal / jib 30° luffed

	m/min	kg		0 - 70 m/min
	15	10000		
	30	5000		0-0,7 r/min
	45	2500		
75	0			

All motions with hydraulic proportional controls.
 Luffing the jib 30° can be controlled from crane cab or by remote control.
 Crane can be driven in its erected position under special conditions (refer user guide).

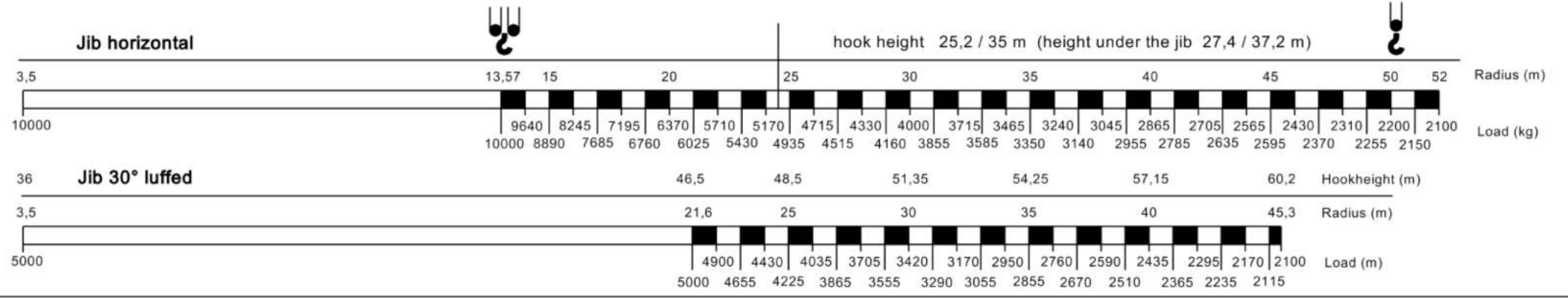
Continuous slewing of the crane (360°) with the outriggers out and support pads down.
 The crane should be folded in at wind force 9 (Bf) (21 m/sec) or when not in use for a longer period.
 Operating temperature range from -15°C till +40°C

Counterweight Crane : 12600 kg.
 Rated lifting capacity is net capacity.
 Max. line pull force : 2500 kg.
 2 parts of line : 5000 kg - 1700 kg
 4 parts of line : 10000 kg - 5000 kg
 Sail area of the load max.: 1,0 m²/ ton.

Outriggers positioned according to lifting chart
 Outrigger support base : 7,95 x 7,66 m.
 Operation allowed up to wind force 7 (14 m/s).
 Outrigger support base : 7,95 x 5,72 m.
 Operation allowed up to wind force 7 (14 m/s).
 Max. outrigger force: 520 kN.

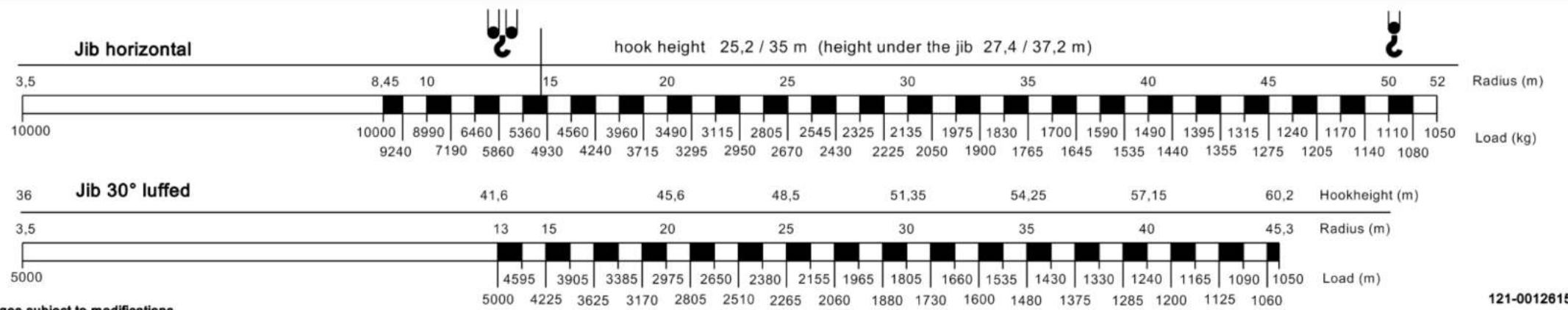
Lifting chart

Outrigger support base : 7,95 m x 7,66 m



Lifting chart

Outrigger support base : 7,95 m x 5,72 m



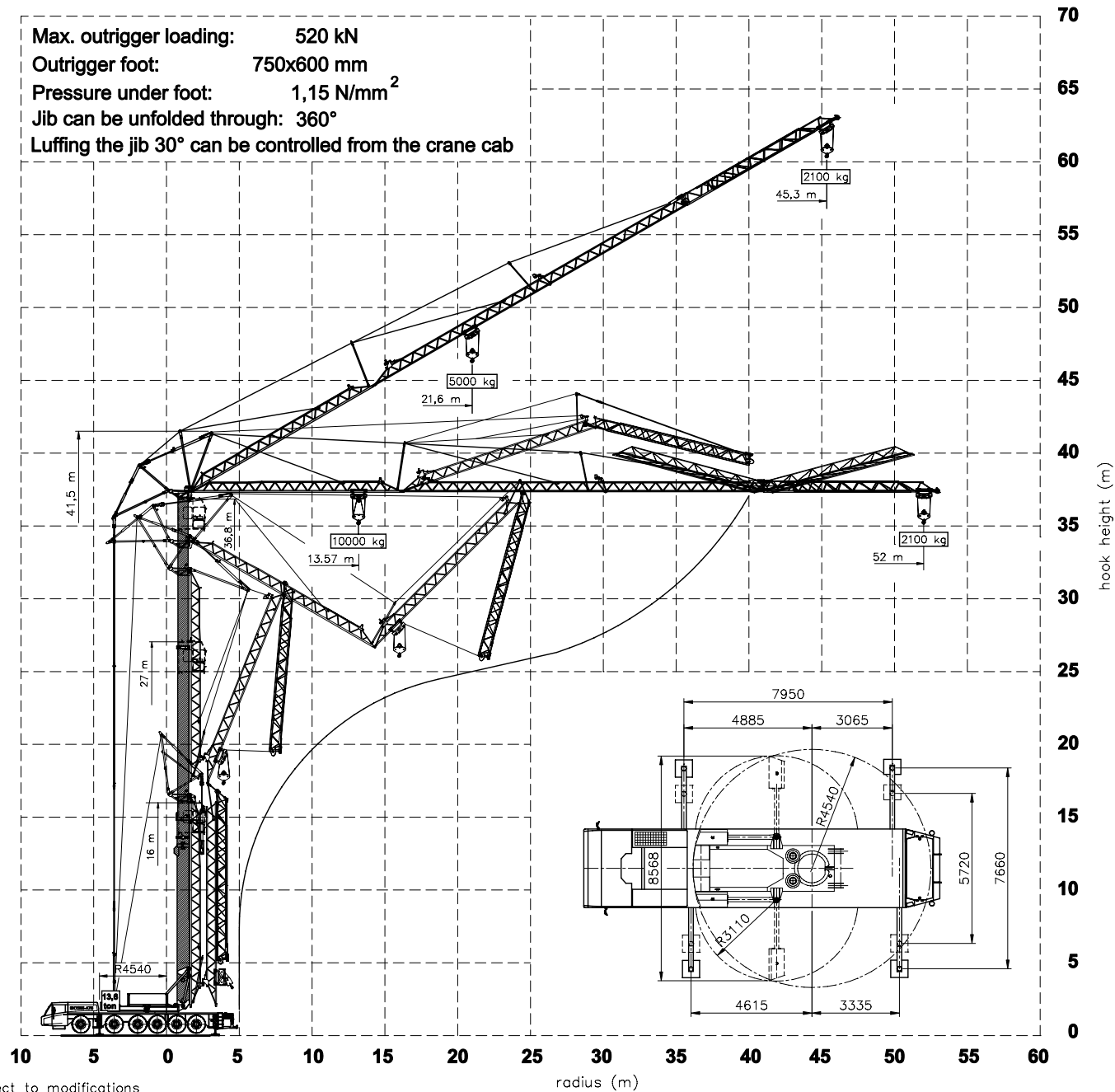
changes subject to modifications

Max. outrigger loading: 520 kN
 Outrigger foot: 750x600 mm
 Pressure under foot: 1,15 N/mm²
 Jib can be unfolded through: 360°
 Luffing the jib 30° can be controlled from the crane cab

SPIERINGS

HYDRAULIC FOLDING CRANE

SK1265-AT6

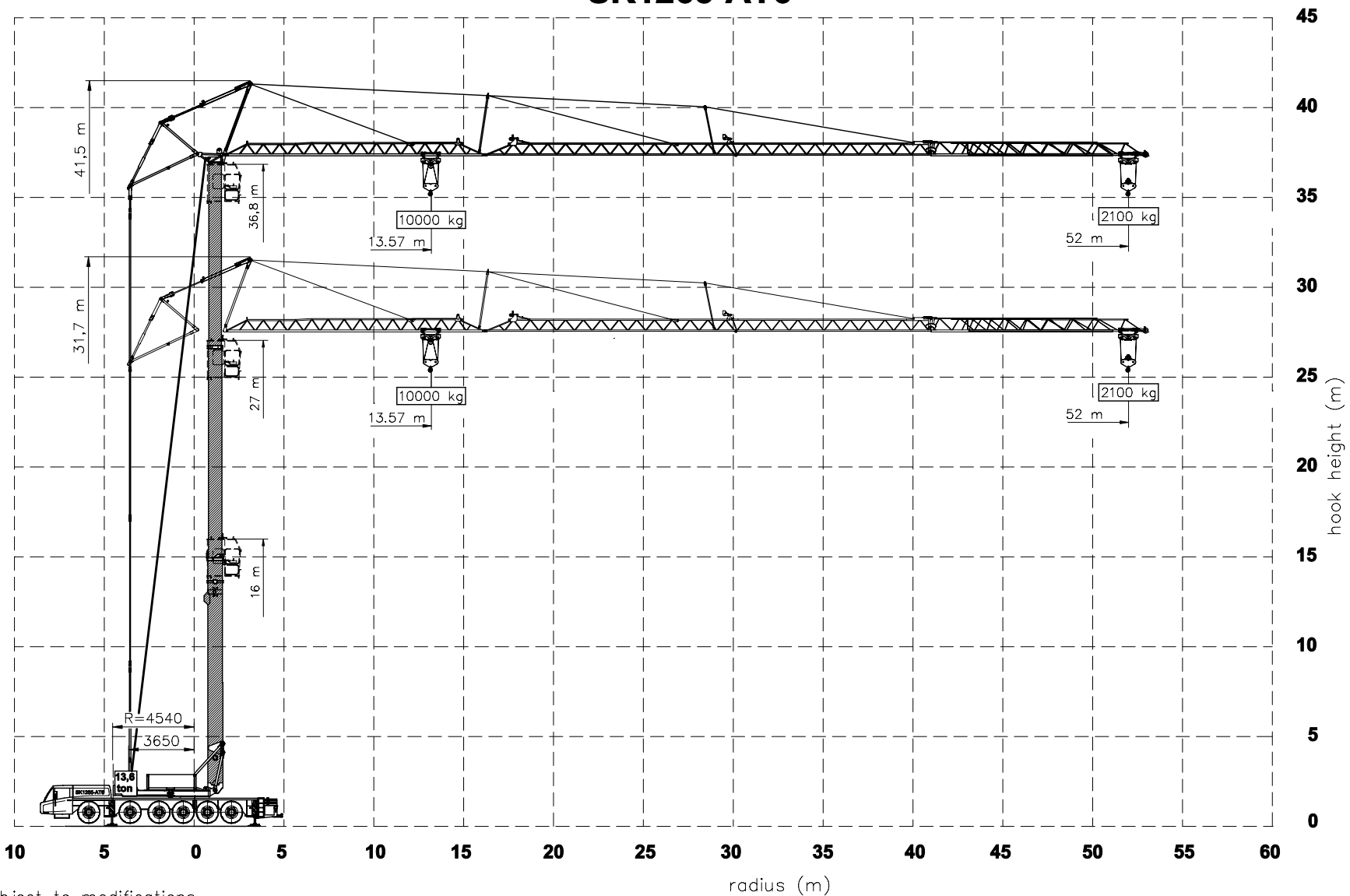


Merwedestraat 15
 5347 KZ Oss NL
 Tel. +31 (0)412-626964
 Fax +31 (0)412-645299

SPIERINGS

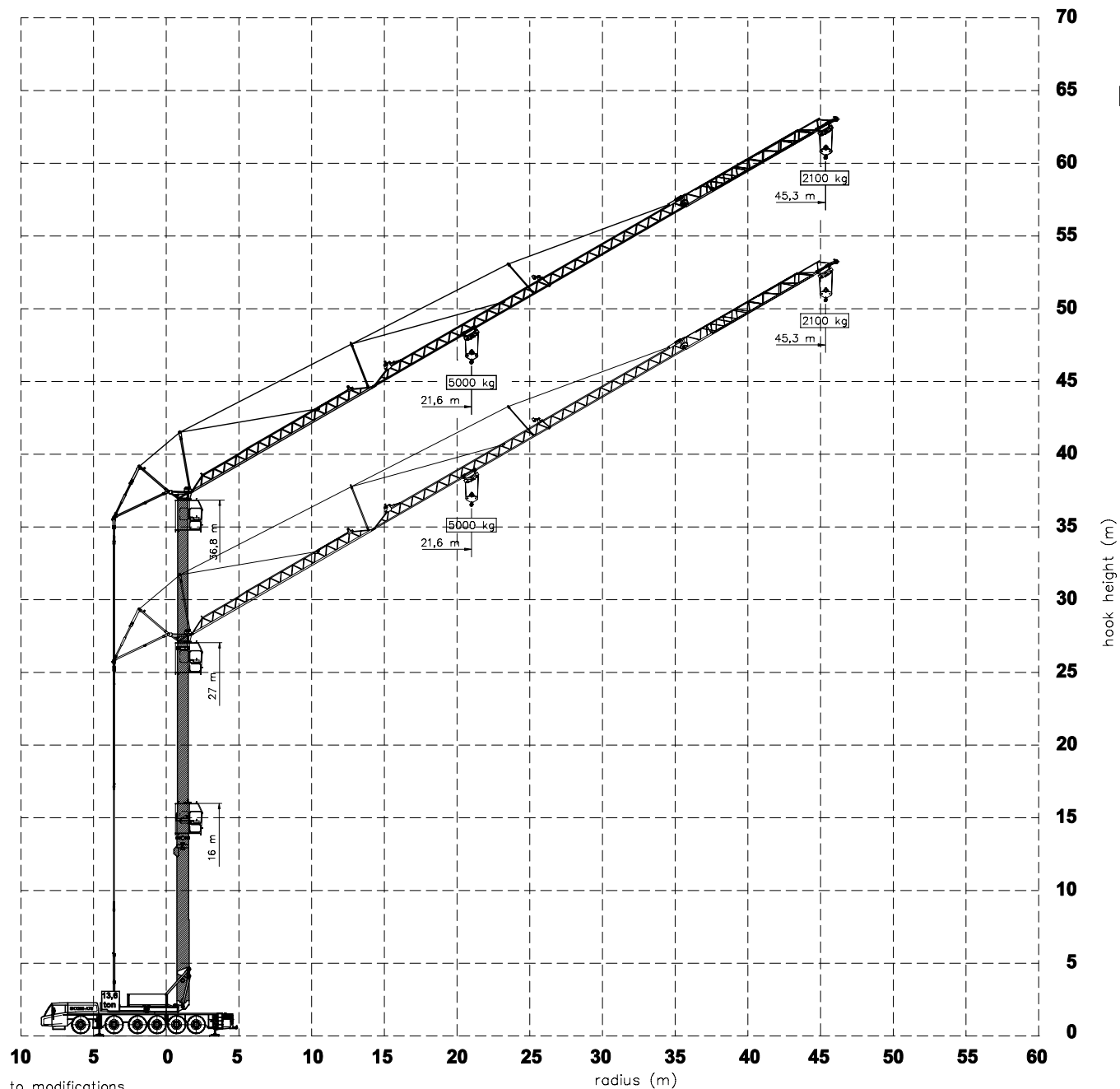
HYDRAULIC FOLDING CRANE

SK1265-AT6



Changes subject to modifications

SPIERINGS HYDRAULIC FOLDING CRANE SK1265-AT6



Merwedestraat 15
5347 KZ Oss NL
Tel. +31 (0)412-626964
Fax +31 (0)412-645299